

EXPLODED VIEW DIAGRAM & PART LIST

CT2021 PRONE LEG CURL

REVISED:JAN.21,2008

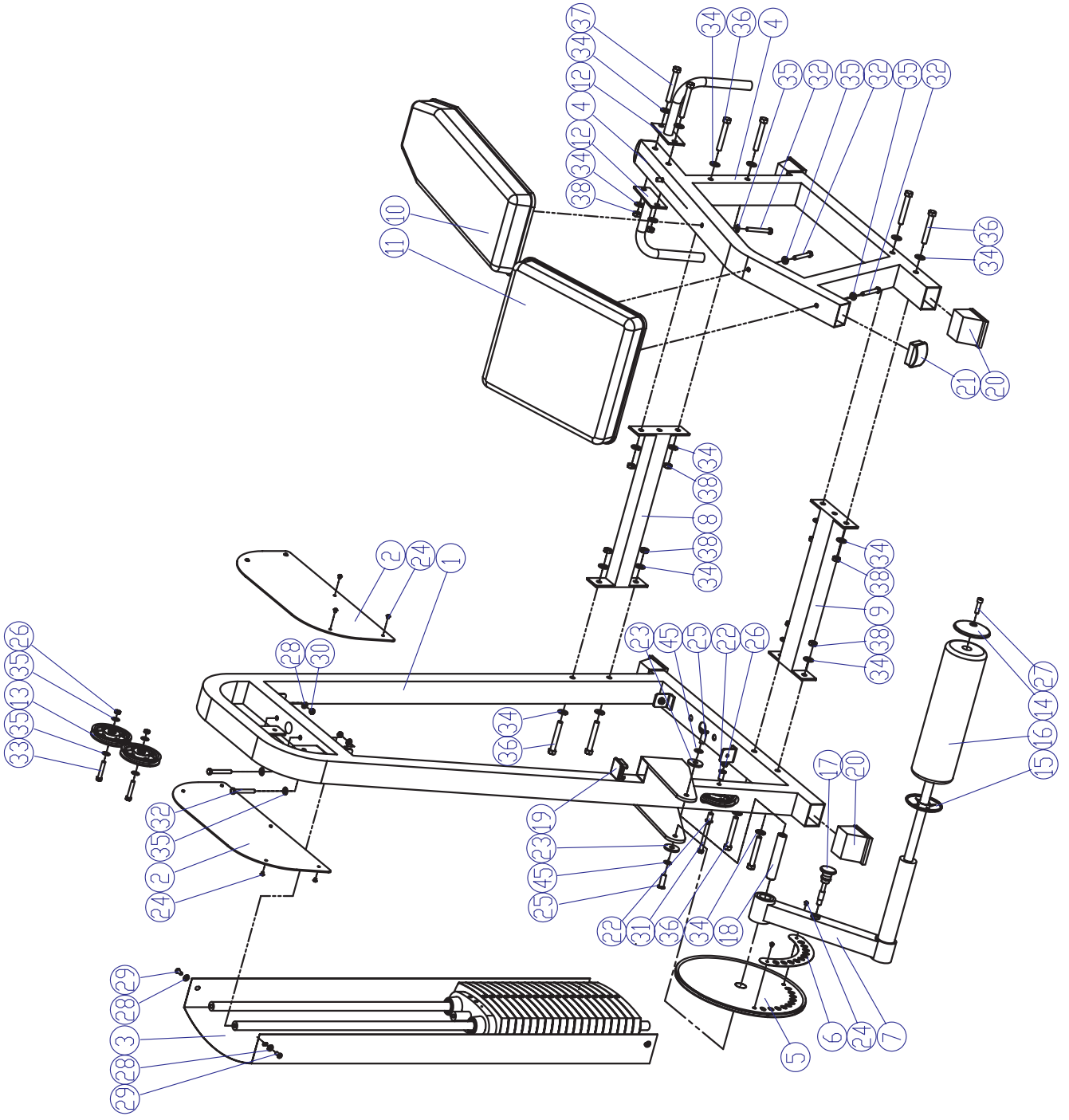
PART LIST

ITEM	QTY	DESCRIPTION	ITEM	QTY	DESCRIPTION
1	1	WEIGHT STACK FRAME	23	2	CHROME WASHER 1/2 IDX 1 5/8 OD
2	2	WEIGHT STACK FRAME SHIELD	24	12	SBHCSCREW 0.25-20x0.25-HX-N
3	1	WEIGHT STACK SHIELD	25	2	HBOLT 0.5000-13x1x1-N
4	1	MAIN FRAME	26	3	HJNUT 0.3750-16-D-N
5	1	CAM	27	1	HX-SHCS 0.375-16x1.375x1.375-N
6	1	SHELTER	28	8	FW 0.3125
7	1	ROLL TUBE	29	4	SBHCSCREW 0.3125-18x0.75-HX-N
8	1	TOP CROSS BRACE	30	4	HNUT 0.3125-18-D-N
9	1	BOTTOM CROSS BRACE	31	1	HBOLT 0.3750-16x3.25x1-N
10	1	CHEST PAD	32	6	HBOLT 0.3750-16x2.75x1-N
11	1	SEAT PAD	33	2	HBOLT 0.3750-16x2x1-N
12	2	HANDLE	34	20	FW 0.5
13	3	PULLEY ASSEMBLY 4.5	35	10	FW 0.375
14	1	PLASTIC INSERT CAP "A" 1 RD.	36	8	HBOLT 0.5000-13x3.5x1.25-N
15	1	PLASTIC INSERT CAP "B" 1 RD.	37	2	HBOLT 0.5000-13x3.75x1.25-N
16	1	FOOT ROLL	38	10	HJNUT 0.5000-13-D-N
17	1	PUSH PULL PIN 1/2 X 3 3/4	39	2	WEIGHT STACK GUIDE ROD
18	1	PIVOT AXLE	40	1	TOP WEIGHT
19	2	PLASTIC INSERT CAP 2 SQ.	41	19	WEIGHT STACK
20	4	2x2.75 FOOT COVER	42	2	RUBBER DONUT
21	2	PLASTIC INSERT CAP 2x2.75	43	1	SELECTOR PINS w/COIL
22	2	LONG FIANGED PULLEY SPACER	44	1	CABLE SUBASSEMBLY
			45	2	LW 0.5

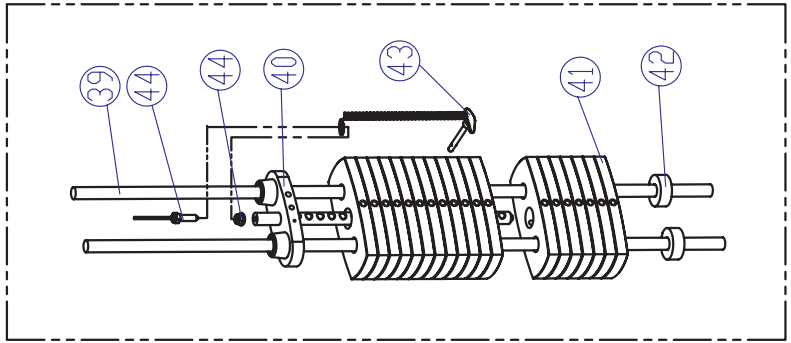


SEE NEXT PAGE FOR
EXPLODED VIEW DIAGRAM

CT2021 PRONE LEG CURL EXPLODED VIEW DIAGRAM



**USE CAUTION
WHEN WORKING
WITH WEIGHT
STACK !**



CT2021 PRONE LEG CURL

